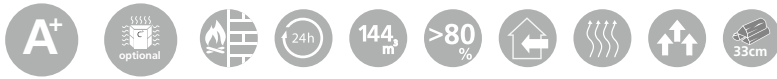


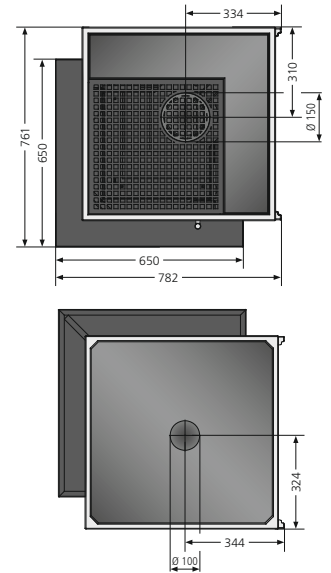
Club (W+) optional



Standard scope of delivery

- » Complete wood stove set
- » Set of elements made of lightweight concrete (dispersion paint is mandatory!)
- » Closing edge for flush mounted construction
- » Standard external combustion air connection
- » Freestanding installation possible
- » Heat accumulation stone W+ available optionally

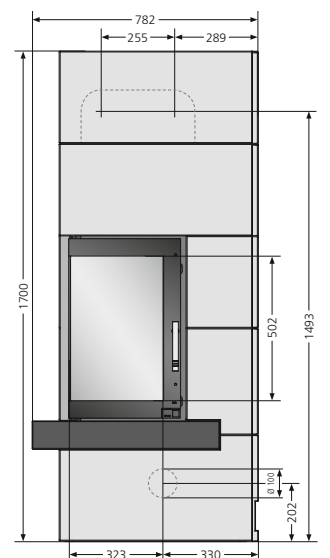
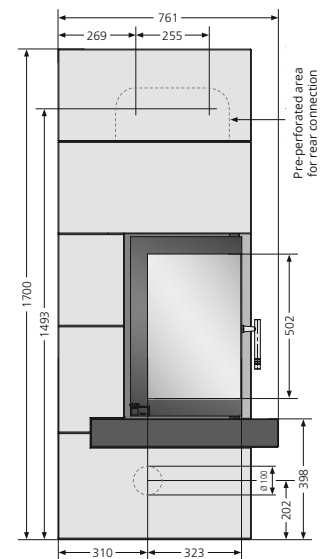
The connecting piece for external combustion air supply is not included in the scope of delivery.



Technical Data

| | | |
|--|----------------|---------------|
| Energy efficiency class | | A+ |
| Connection possibility | | top / rear |
| Operation with external air | | rear / bottom |
| Nominal heat output | kW | 7,0 |
| Weight (incl. packaging) | kg | 430 |
| Weight heat accumulation stone W+ | ca. kg | 180 |
| Room heating capacity | m ³ | 144 |
| Length of logs | cm | 33 |
| Exhaust gas mass flow | g/s | 8,5 |
| Exhaust gas temperature | ° C | 241 |
| Required discharge pressure | mbar | 0,12 |

For all technical data please see pages 90 to 93.



| Available designs | Order number | EAN-Code |
|---|--------------|---------------|
| Club, mantel concrete slate, corpus steel black | 5621 90 | 4029808540439 |
| Club, mantel natural stone grey, corpus steel black | 5621 30 | 4029808543546 |
| Optional accessories | | |
| Connecting piece for external combustion air supply | 9200 69 | 4029807779991 |
| Heat accumulation stone W+ for Club and Quadrum | 9215 17 | 4029808561069 |
| Wood holder, steel black (H x W x D: 1700 x 600 x 350 mm) | 9215 59 | 4029808575943 |