

Pori 5



Standard scope of delivery

- » Stone / ceramic cover plate combination with warming compartment
- » Air flow handle
- » Door for wood log storage
- » Standard external combustion air connection

The connecting piece for external combustion air supply is not included in the scope of delivery.



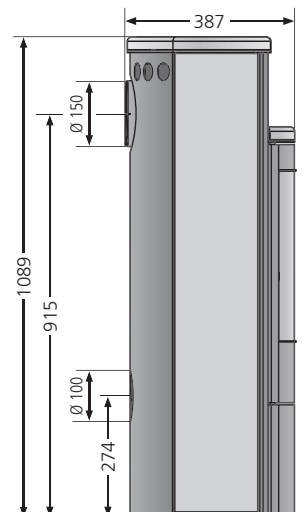
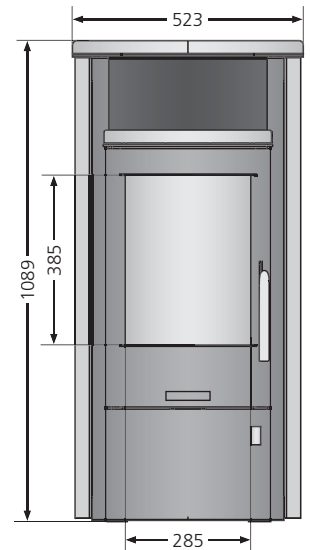
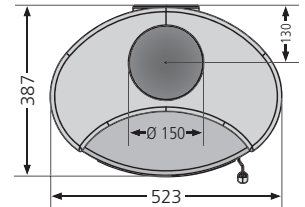
Air flow handle



Door for wood log storage



External combustion air connection



Technical Data

Energy efficiency class		A+
Connection possibility		top / rear
Operation with external air		rear
Nominal heat output	kW	5,0
Weight (incl. packaging) steel / stone	kg	102 / 143
Room heating capacity	m³	88
Length of logs	cm	25
Exhaust gas mass flow	g/s	6,5
Exhaust gas temperature	°C	266
Required discharge pressure	mbar	0,12

For all technical data please see pages 88 to 91.

	Available designs	Order number	EAN-Code
Corpus steel grey	Pori 5, steel grey	5575 29	4029808540170
	Pori 5, Soapstone, corpus steel grey	5575 22	4029808540194
	Pori 5, ceramic Corretto, corpus steel grey	5575 70	4029808540224
	Pori 5, ceramic Grappa, corpus steel grey	5575 71	4029808540248
	Pori 5, ceramic Freddo, corpus steel grey	5575 72	4029808540262
Corpus steel black	Pori 5, steel black	5575 11	4029808540187
	Pori 5, Soapstone, corpus steel black	5575 23	4029808540200
	Pori 5, Sandstone, corpus steel black	5575 42	4029808540217
	Pori 5, ceramic Corretto, corpus steel black	5575 73	4029808540231
	Pori 5, ceramic Grappa, corpus steel black	5575 74	4029808540255
	Pori 5, ceramic Freddo, corpus steel black	5575 75	4029808540279
Optional accessories			
	Connecting piece for external combustion air supply	9200 69	4029807779991